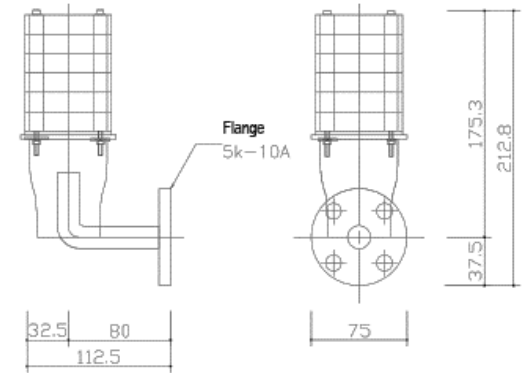
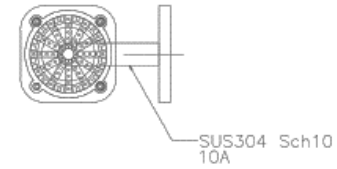


Specification		
Model	"Aquablaster" AS-250	
Air Volume	250L/min/Unit	
Connection	Flange 5k-10A	
Material	Body	SUS304
	Piping	SUS304
	Nozzle	Nylon 6



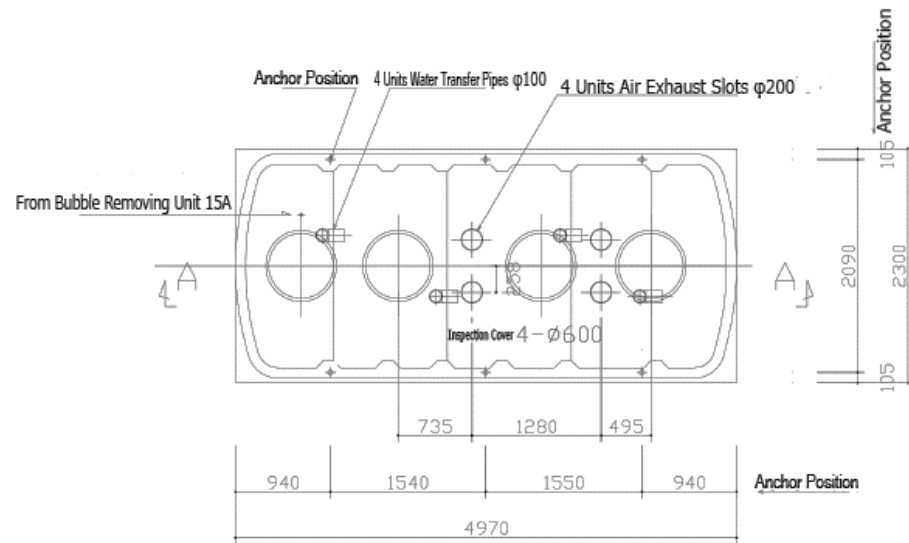
15.8 t

Name	Q'ty	Air Volume	Tank Capacity	Total Air Volume
"Aquablaster" AS-250	24 Units	0.25m3/min/Unit	15m3/min	400L/min

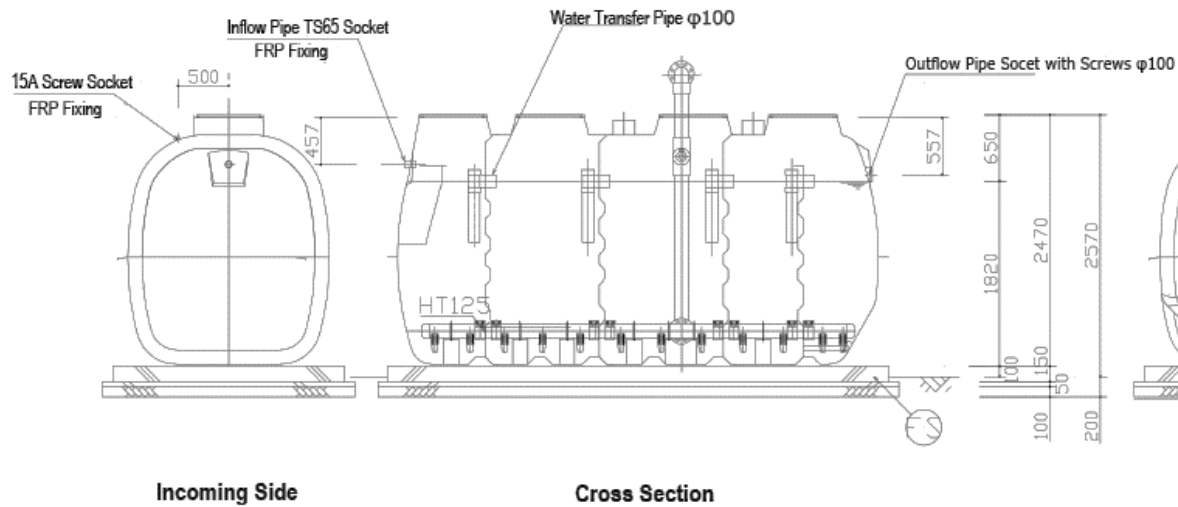
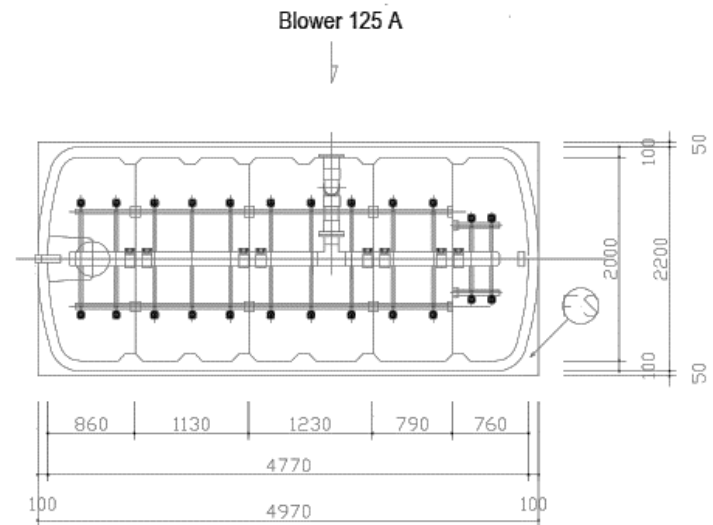
Blastertank BT-15B-UG

cYc Century Yamakyu Corporation

From the Top

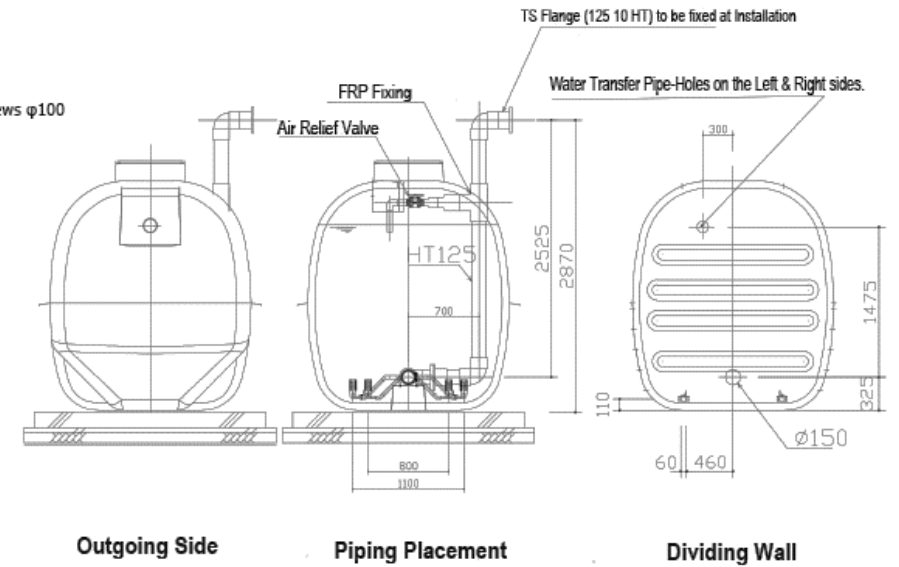


From the Top



Incoming Side

Cross Section



Outgoing Side

Piping Placement

Dividing Wall

Blastertank BT-15B-UG	cYc Century Yamakyu Corporation